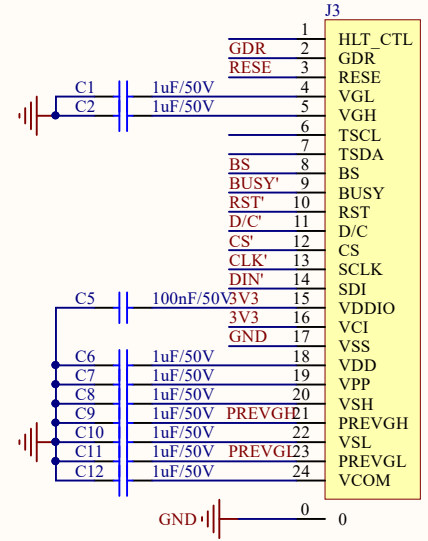
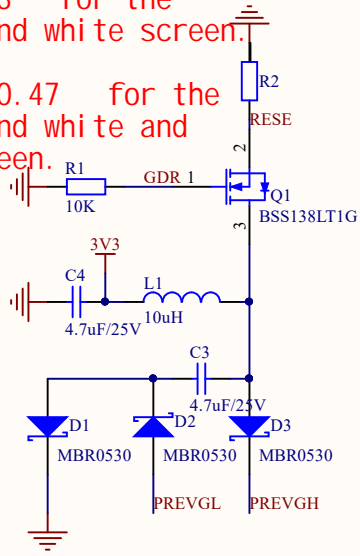


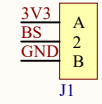
R2 resistor selection:

Select 3 for the black and white screen.

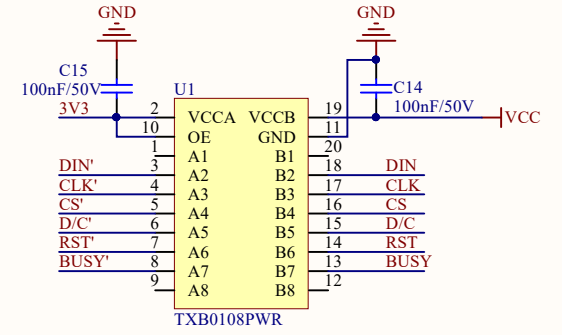
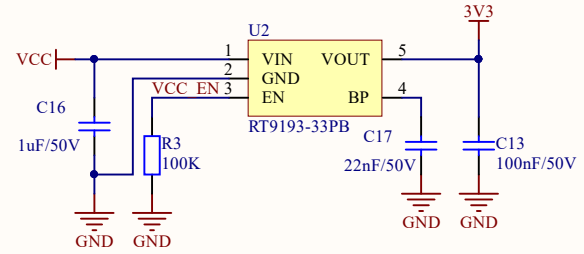
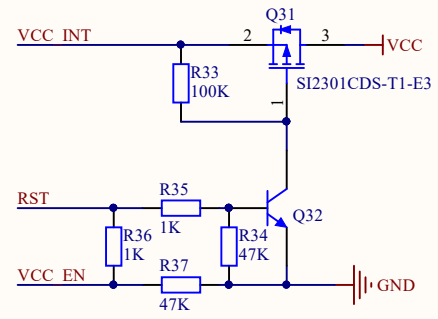
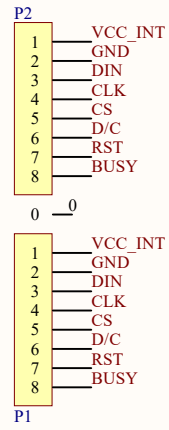
Select 0.47 for the black and white and red screen.



	VCC	GND
BS	3-line SPI	4-line SPI



W aveshare
4.2inch e-Paper



4.2inch e-Paper Module

400×300 Pixels

Rev2.2



BS	Interface
1	3-line SPI
0	4-line SPI